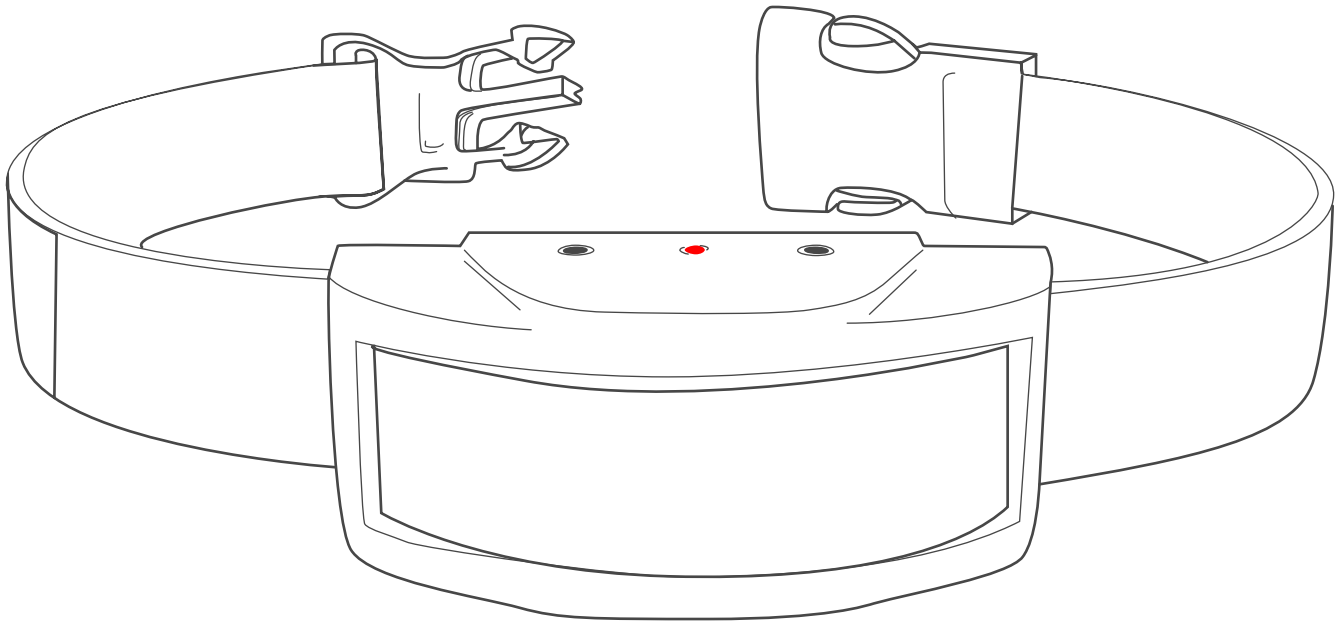




USER MANUAL

Please read this manual in its entire before using the Bark Collar Barksolution to ensure safety & quality.



Model: BSW300A



For more information please visit
www.bark-solution.com

FCC COMPLIANCE

Bark Solution declares that BSW300A Model Anti-Bark Collar complies with part 15 of the FCC rules



(1) This device may not cause harmful interference, and (2) this device must accept any interference received, including interference that may cause undesired operation.

TRADEMARK

Bark Solution is a trademark of Zimston Corp. – U.S.A

WARNING

- Before using the collar, we strongly advise you to have your dog checked by a vet to ensure he is fit to wear a collar.
- Regularly check your dog's neck as repeated rubbing of the contact points against the skin may cause irritation. If this happens, remove the collar until all signs of skin irritation have disappeared.
- Do not leave the collar on your dog for more than 8 hours a day.

ADVICE TO FIRST TIME USERS

The owner's involvement during the first time use of the product is a key factor to obtaining the best results.

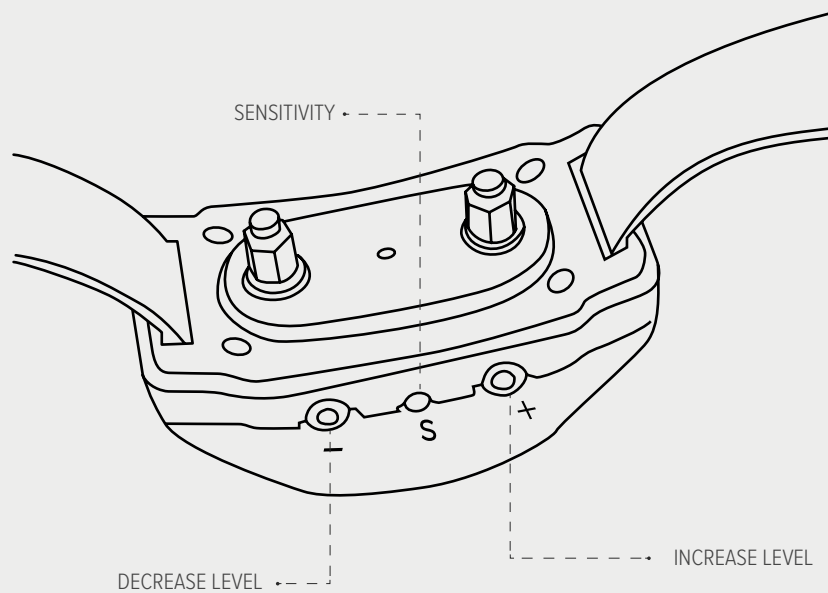
Do not leave your dog unattended with the collar on until he is used to wearing it and you are satisfied that it is working correctly. You should ensure that the settings are adjusted correctly for your dog barking detection sensitivity, operating mode.

Closely watch your pet during the first days' use.

Operate the device as per instructions.

As soon as your dog stops barking, congratulate him (but not excessively) by stroking him, verbally flattering him, or giving him dry food so as to encourage him to behave himself.

Remember that barking can indicate some behavioral problems. The bark control collar will allow you to resolve problems caused by excessive barking.



CONTROLLER

MAIN FEATURES

- ✓ 100 levels of vibration.
- ✓ 100 levels of static shock (optional).
- ✓ The levels can be altered by the use of up & down buttons.
- ✓ A tone button activates a tone on the receiver collar.
- ✓ The system can be used for 1 or 2 receivers.

POWER SAVING

- ✓ The Receiver will TURN OFF if unused for > 4 minutes.
- ✓ Any movement will activate the Receiver into STANDBY MODE.
- ✓ The Controller will go into STANDBY MODE if there is no operation after 20 seconds and turn off after 2 minutes.

- ✓ 1 x Remote
- ✓ 1 x Receiver Collar (1 for 1)
- ✓ 1 x Controller
- ✓ 1 x Belt (1 for 1)
- ✓ 1 x Test Bulb

FEATURES

PACKAGE CONTENTS

CONFIGURE

CHARGE THE CONTROLLER


Connect the charger connector to the charging jack. Then plug the charger into a standard outlet, the red LED light inside the Transmitter will light up. Charge the Controller for at least 6 hours before FIRST use. After it's fully charged, the red LED light will be turned off automatically.

CHARGE THE RECEIVING DEVICE

Once you plug the charger into a standard outlet the red LED light inside the receiver device will light up.

Charge the receiver for at least 6 hours for the first charge. Once fully charged, the red LED light will be turned off automatically.

LOW BATTERY INDICATOR:

the symbol  will show up on the bottom right corner of the LCD screen.

HOW TO USE

INSTALL THE RECEIVER'S CONTACT COLUMN

According to the size of the dog and dog hair length, choose the right size column for your dog between the tall one and short one.

*First, use the screw driver to press into the reset hole.
You will hear a beep.*

Then Press the Y button in the Controller within 5 seconds. You will hear a second "beep", as a sign that it is paired successfully. If not, please try again.

Press the up and down buttons to choose the intensity level.

Choose the between channels for 1 or 2 on right hand side to select your connected receiver.

Note: If you fail to press the Y button after hearing the beep from the receiver collar, you need to re-sync and restart by pressing the Reset button of the receiver device.

Press the Y button; test bulb will flash. That means the shock function works.

PACKAGE CONTENTS

1) Take out the test bulb from the package and put it on the Receiver device's contact points.

2) Press Mode button of Remote transmitter, switch to Shock Mode, confirm that LCD display is not 0 by pressing UP/DOWN button on the right side to adjust.

Please make sure that the remote and the receiver collar have been synced successfully.

Please make sure that the remote and the receiver collar have been synced successfully.

TEST THE STATIC SHOCK FUNCTION

Press the Mode button switch to Shock mode

Press the Y button and the test bulb will flash; that means Shock function works.

TEST THE VIBRATION FUNCTION

Press the Mode button switch to Vibration mode

Press the Y button, Receiver device will vibrate; that means Vibration function works.

TEST THE BEEP FUNCTION

Press the Mode button switch to Beep mode.

Press the Y button, Receiver device will create a tone; that means beep function works.

TEST THE LED LIGHT FUNCTION

Press the Mode button switch to Beep mode.

Press the Y button, Receiver device will flash, signifying that the LED Light function works.

1. The lifetime of the device will vary according to how often you use the product.
2. Valid distance of Controller means straight-line distance between the Controller and the Receiver Collar without obstacles in between. If there are interference signals or signal screening around, the actual remote Controller distance may vary.
3. Only through training, can the pet understand the intention of its owner. Good effect can only be achieved after a period of training.
4. Training sessions should be kept positive and short, about 10-15 minutes long each time.
5. Presently, this product is the most effective and safest tool for training pets. *By following the correct operational instructions, you can effectively train the pet and bring it no harm.*

TESTS & TROUBLE- SHOOTING

NOTES FOR USE

GUARANTEE

Bark Solution guarantees the product against production defects for 2 years of ownership (conditions apply).

All postage and packaging charges will be the purchaser's sole responsibility. After the warranty period, a service or upgrade charge will apply relative to replacement of the product, with new or refurbished items at Bark Solution's sole discretion.

GUARANTEE CONDITIONS

1. The guarantee will be valid only if the proof of the purchase (invoice or sales receipt), without cancellation, is submitted to the distributor or to **Bark Solution**.

The guarantee is limited to the original purchaser.

2. The warranty excludes:

- Changing the strap
- Direct or indirect transport risks incurred when sending the article back to the distributor or **Bark Solution**
- Damage to the article caused by:
 - o Negligence or incorrect use (ex: bites, breakage, cracking)
 - o Use contrary to the instructions or not envisioned therein.
 - o Repairs performed by unauthorized persons
- Theft or Loss

3. No claim may be advanced against **Bark Solution**, particularly in relation to incorrect use or breakdown.

4. **Bark Solution** reserves the right to modify the characteristics of its products with a view to making technical improvements or to comply with new regulations.

5. The information contained in this guide may be subject to amendment without prior notice.

6. Photos and drawings are not contractual.

7. Warranty is void if product is resold.

REGISTER

Your product can be registered on our website at :-

www.bark-solution.com

SPARE PARTS

You can purchase spare parts (straps, contact points, battery) from your supplier at any time. You can also contact our customer service at **support@bark-solution.com**